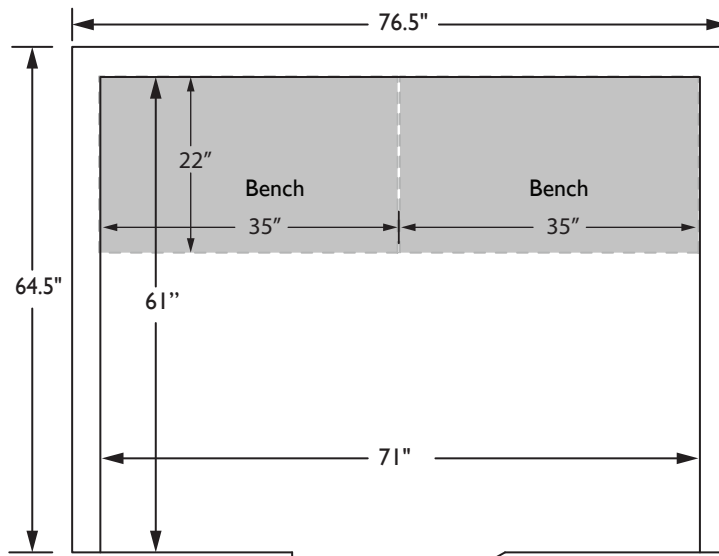
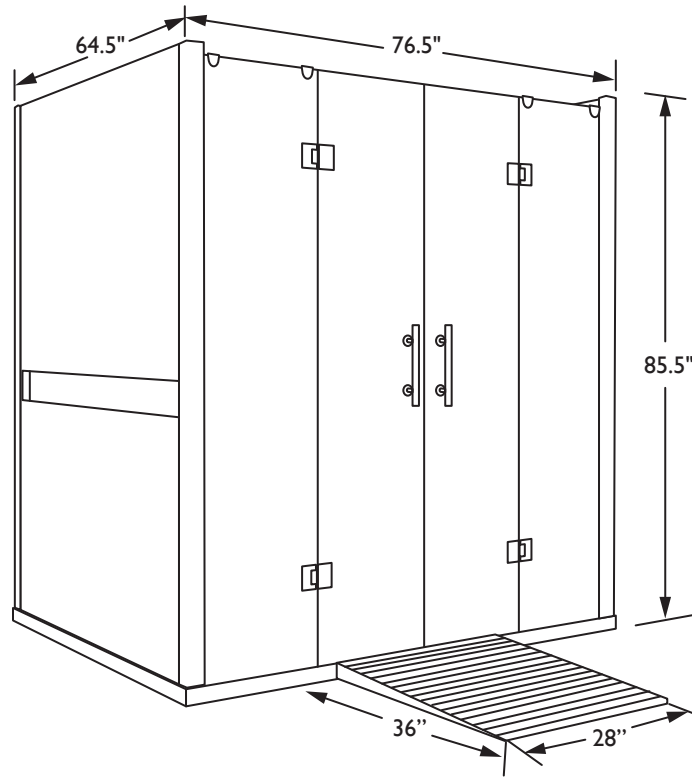




SAUNAS

CLEARLIGHT SANCTUARY FULL SPECTRUM **RETREAT**



SPECIFICATIONS

Construction

Eco Certified Grade "A" Clear Western Red Canadian Cedar or Basswood
Tongue & Groove Construction
Weight: 780 lbs

Exterior

Width: 76.5"
Depth: 64.5"
Height: 85.5"
Door Width: 36"

Interior

Width: 71"
Depth: 61"
Height: 81"
Two Benches:
35"x22"

Ramp

Width: 28"
Depth: 36"
Elevated Height: 2.25"
Bottom Height: 1"
Slope: 1:12

Heaters

True Wave™ Carbon/Ceramic
Far infrared and full spectrum heaters.
Power: 240V / 3,610W / 15.1A

Limited Lifetime

Residential Warranty
Cabinetry & Glass
Electrical
Heaters
Controls